



**2009–10 TSX: Front Grille Lower Molding Peels, Wrinkles, or Blisters**

**SYMPTOM**

The front grille lower molding peels, wrinkles, or blisters.

**PROBABLE CAUSE**

The primer on the molding did not bond properly.

**CORRECTIVE ACTION**

Replace the grille lower molding. Replace the “A” (Acura) emblem if needed.

**PARTS INFORMATION**

“A” (Acura) Emblem: P/N 75700-TL2-A00  
 Front Grille Lower Molding: P/N 71123-TL2-A00  
 Push Nut (two required): P/N 90672-SW5-003

**WARRANTY CLAIM INFORMATION**

The normal warranty applies.

Operation Number: 8131D7  
 Flat Rate Time: 0.6 hour  
 Failed Part: P/N 71123-TL2-A00  
 Defect Code: 02502  
 Symptom Code: 08601  
 Skill Level: Repair Technician

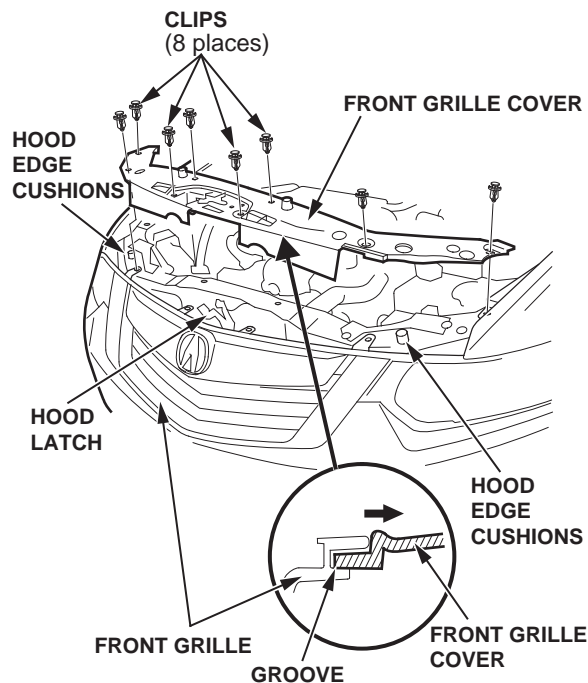
**REPAIR PROCEDURE**

**NOTE:**

- Take care not to scratch the grille, the front bumper, or the body.
- Wrap a flat-tip screwdriver with tape to prevent damage when prying on the bumper clips.
- Put on gloves to protect your hands.
- Have an assistant help you when removing and installing the front bumper.
- Release each clip by prying up at the center pin of the notch.

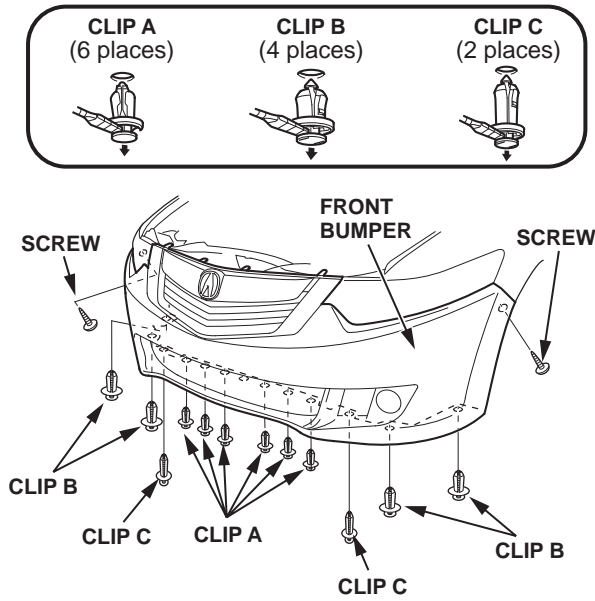
**Removal**

1. Remove the front grille cover:
  - Detach the clips.
  - Pull the rear edge of the cover over the hood edge cushions, then slide the entire cover rearward to release it from the groove in the front grille.
  - Lift the cover over the hood latch handle through the hole in the cover.

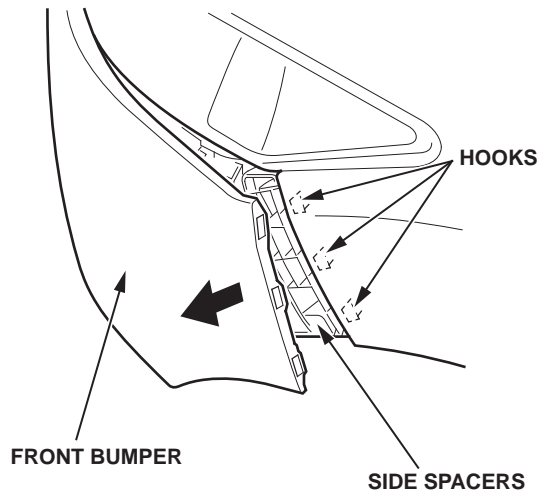


**CLIENT INFORMATION:** The information in this bulletin is intended for use only by skilled technicians who have the proper tools, equipment, and training to correctly and safely maintain your vehicle. These procedures should not be attempted by “do-it-yourselfers,” and you should not assume this bulletin applies to your vehicle, or that your vehicle has the condition described. To determine whether this information applies, contact an authorized Acura automobile dealer.

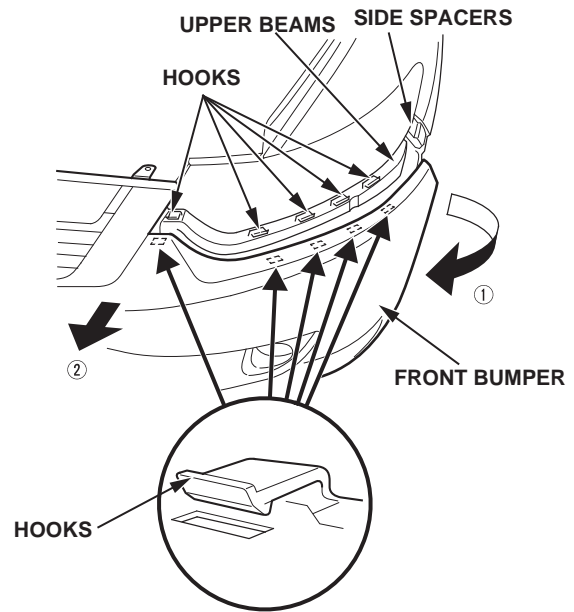
- Remove the front bumper by removing the screws and detaching the clips.



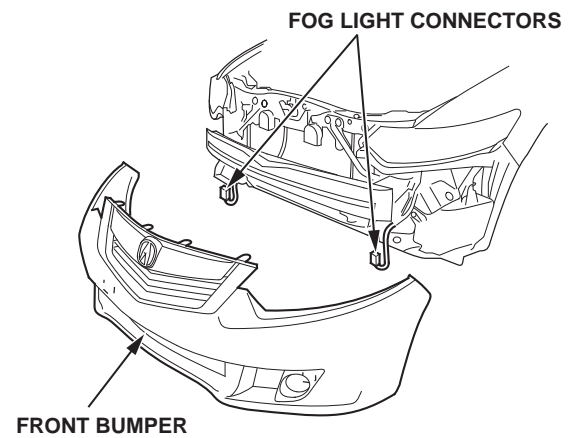
- Pull on the bumper at both wheel arch areas to release it from the hooks on the side spacers.



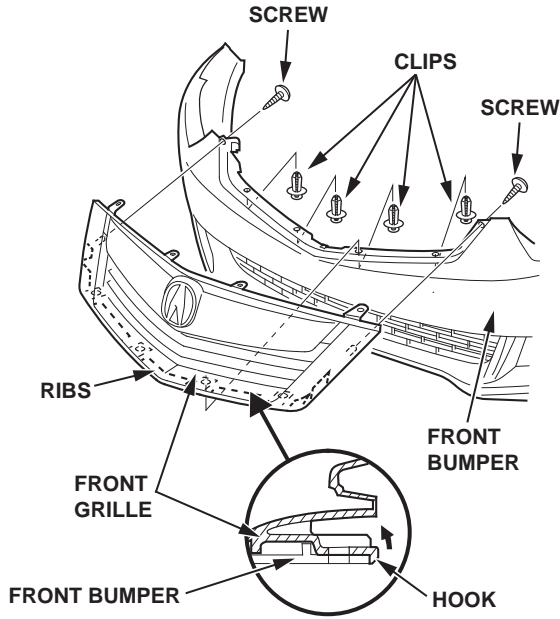
- With the help of an assistant, pull the bumper out to release the hooks from the upper beams.



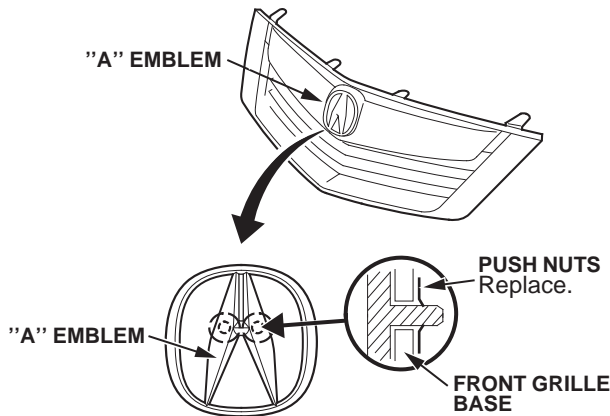
- With the help of an assistant, disconnect the fog light connectors while holding the bumper, then remove the bumper.



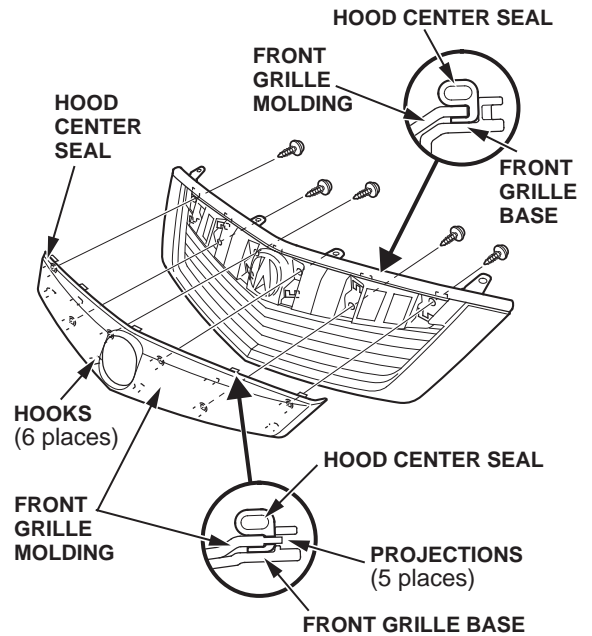
- Remove the grille by removing the screws, detaching the clips, and releasing the hooks and ribs from the bumper.



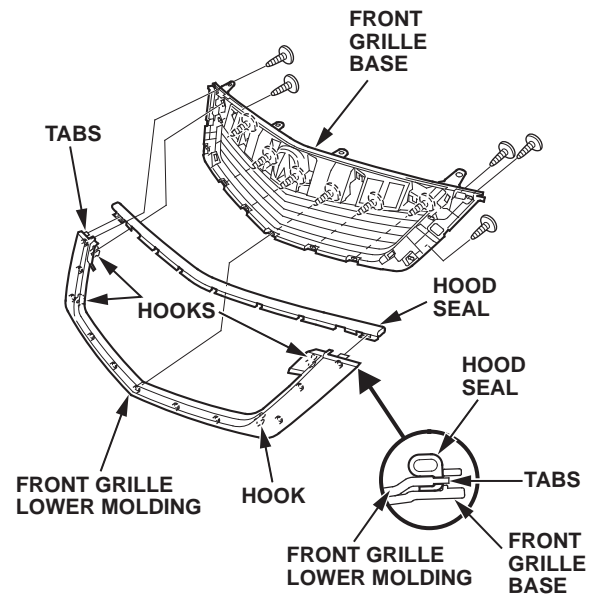
- Remove the "A" emblem from the front grille molding.



- Remove the front grille molding by removing the screws, releasing the hooks (six places) from the grille base, and releasing the projections (five places) from the hood center seal.



- Remove the screws. Pull out the front grille lower molding to release the hooks from the front grille base. Detach the tabs holding the hood seal, then remove the front grille lower molding.

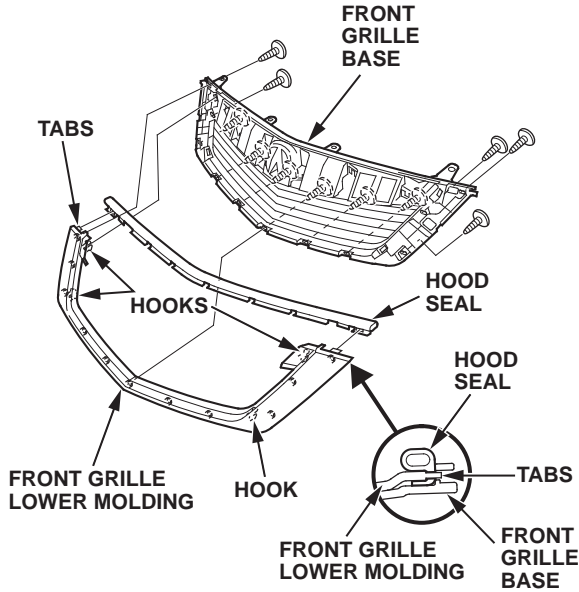


**Installation**

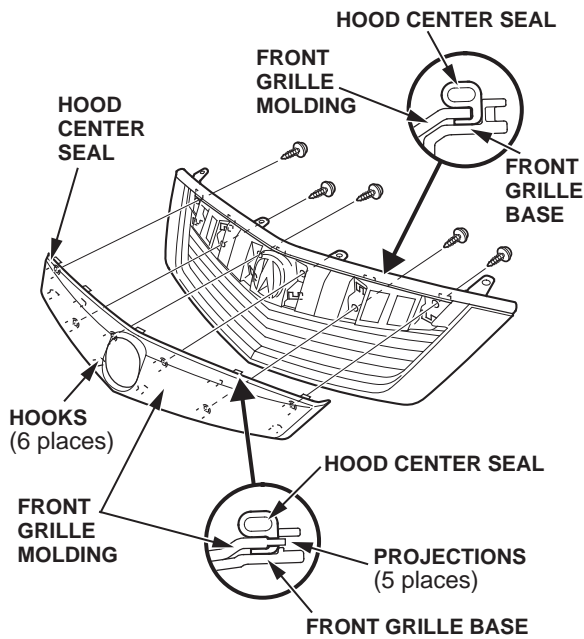
**NOTE:**

- Make sure the tabs on both moldings engage the hood center seal securely.
- Push all hooks and clips into place securely.
- If any clips are damaged or stress-whitened, replace them with new ones.

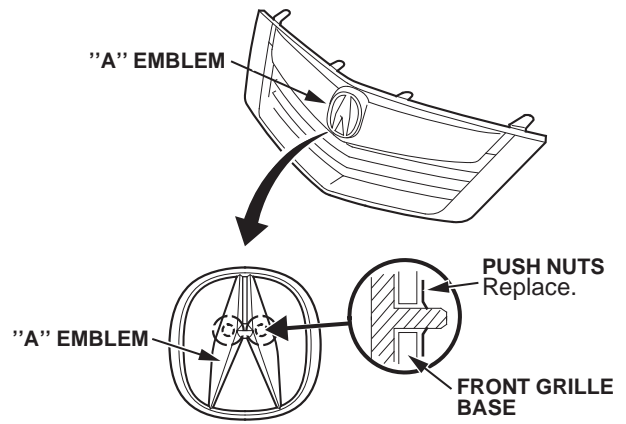
10. Reattach the tabs holding the hood seal, then install the new front grille lower molding with the original screws.



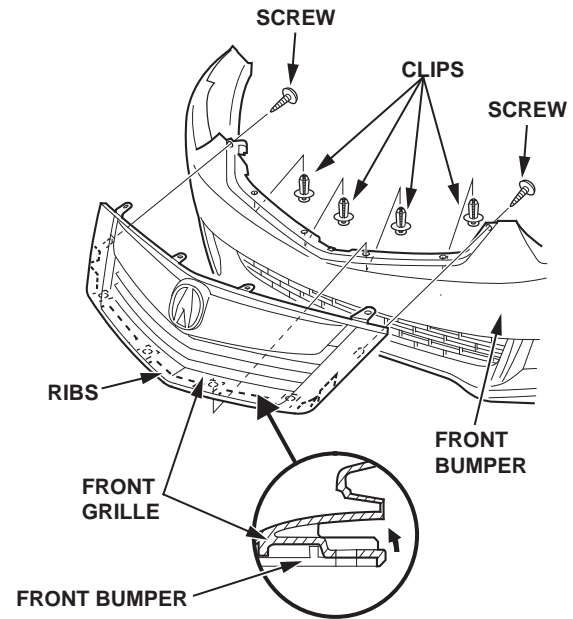
11. Install the front grille molding.



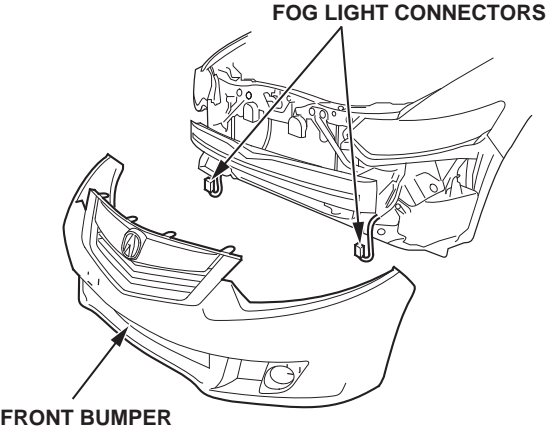
12. Attach the new "A" emblem using new push nuts.



13. Reattach the grille to the bumper.



14. With the help of an assistant, reconnect the fog light connectors, and reattach the bumper to the vehicle. Make sure the bumper securely engages the hooks on both the upper beam and the side spacers securely on each side.



15. Reinstall the front grille cover over the hood edge cushions and the hood latch handle. Reinstall the clips.

