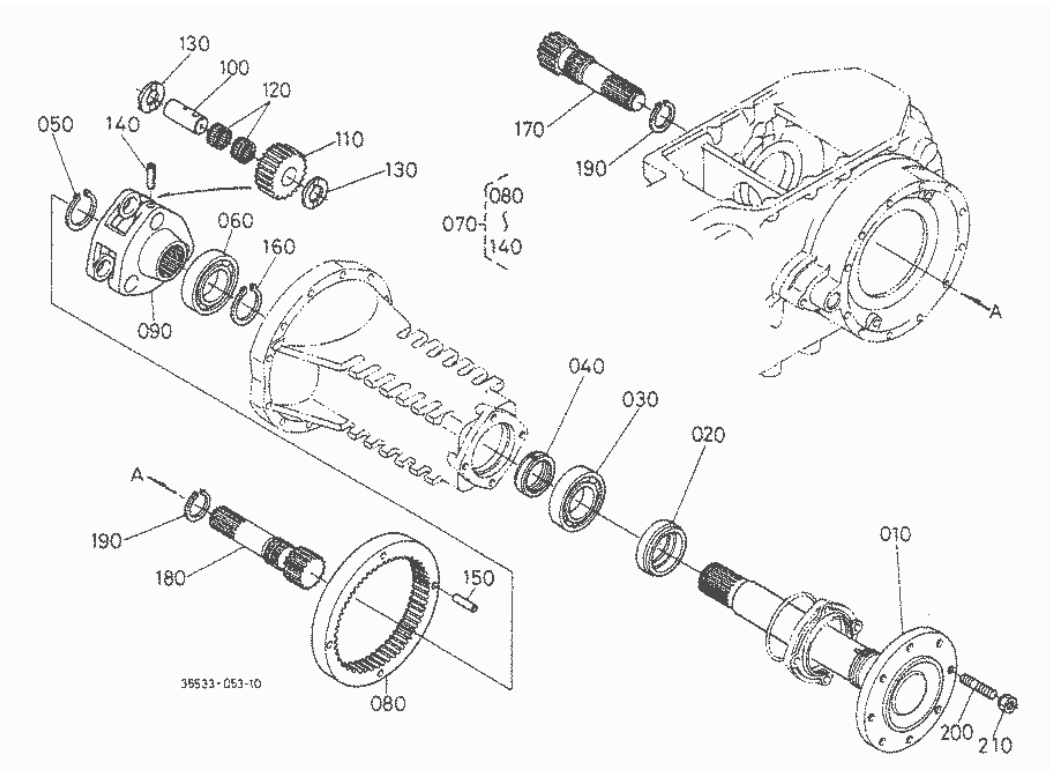


M5030SUMDT -> REAR AXLE -> T08002 REAR AXLE

Update Date: 06/26/2012, Printing Date: 09/24/2014



No	Part Number	Part Name	Qty	IC	S/N	Remarks	lbs
010	35533-48210	AXLE REAR	2				45.76
020	36830-48250	SEAL	2				0.308
030	08101-06213	BEARING,BALL	2				2.134
040	36330-48270	NUT	2				0.572
050	04612-00600	CIR-CLIP,EXTERNAL	2				0.0264
060	08101-06212	BEARING,BALL	2				1.716
070	33660-48300	ASSY GEAR PLANETARY	2	=	>=60083		35.2
070	35822-48300	ASSY GEAR PLANETARY	2		<=60082		0.0
080	35822-48310	GEAR INTERNAL	2			56T	9.46
090	36330-48340	SUPPORT PLANE.GEAR	2		<=60082		13.42
090	33660-48340	SUPPORT PLANE.GEAR	2	NI	ASK DEALER		12.848
100	36500-48363	PIN PLANETARY GEAR	6				0.88
110	36500-48320	GEAR	6		<=60082		2.86
110	35788-48320	GEAR PLANETARY	6	NI	ASK DEALER		2.86
120	35788-28360	BEARING NEEDLE	12	NI	ASK DEALER		0.154
120	36200-28360	BEARING NEEDLE	12		<=60082		0.1166
130	36330-48370	COLLAR,THRUST	12			1.6MM	0.044
140	05411-00825	PIN,SPRING	6				0.0132
150	36200-48410	PIN STRAIGHT	4				0.011
160	04612-00600	CIR-CLIP,EXTERNAL	2				0.0264
170	36330-48464	SHAFT BRAKE RH	1				6.27
180	36330-48474	SHAFT BRAKE LH	1				6.71
190	04612-00550	CIR-CLIP,EXTERNAL	2				0.022
200	35707-49150	STUD	16				0.2112
210	33251-49170	NUT	16				0.099